



# ARD Series Midsize On/Off Valve

Kelly Pneumatics' ARD Series Valves provide a reliable on/off control solution in a compact design, bridging the gap between traditional solenoid valves and high-flow pneumatic systems. Engineered with proven technology, these miniature valves deliver flow rates of up to 1,200 SLPM while maintaining a small footprint. Designed for precision and durability, the ARD Series Valves are an ideal choice for medical device applications, particularly in respiratory therapy, where minimizing leak-by and oscillation is critical.

## Product Features

- **Unique high-force armature eliminates leak-by and oscillation issues typical to balanced valves**
- **Compact, allowing for easy implementation into current designs**
- **Custom Port Options: Inline and Manifold Mount**
- **CV Factor of up to .760**

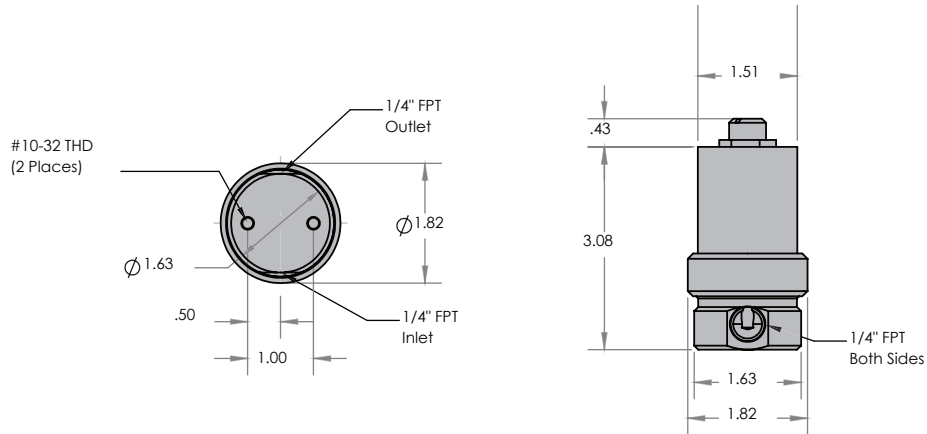


## Specifications

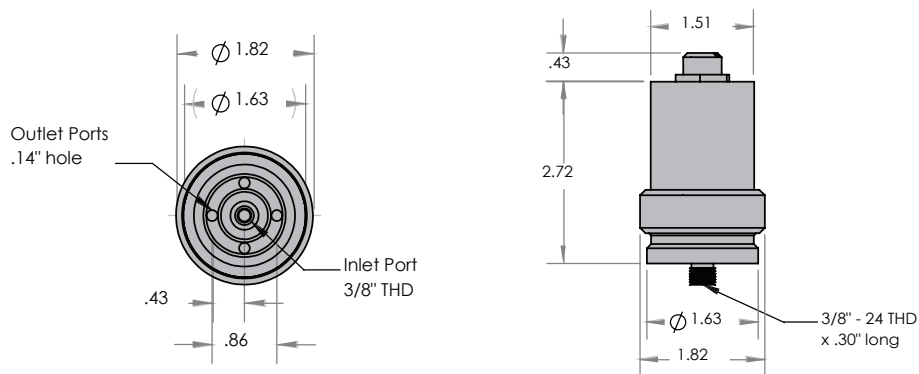
Valve Function	2 Way, Normally Closed
Electrical Connection	Flying Wire Leads
Control Voltages	12 vdc or 24 vdc
Power Requirement	5.2 watts (max)
Flow Range	0 - 1,200 slpm of air (at 100 psi)
Working Pressure	-14.7 to 150 psig
Cv Factor	0.50 to 0.76
Differential Pressure Required	15 psig minimum
Turndown Ratio	100,000:1
Leak Rate	Bubble Tight Seal
Response Time	<10 ms
Port Types	Manifold Mount, 1/4" NPT Inline, Custom
Seal Material	Buna-N, Viton, EPDM, Custom
Wetted Materials	Cold rolled stainless steel w/ electroless nickel plating, brass and 304 stainless steel

# Dimensions

## Base Mount Version



## Manifold Mount Version



# Part Numbering System

