



ARD Series Miniature On/Off Valve

Kelly Pneumatics' ARD Series Valves provide a reliable on/off control solution in a compact design, bridging the gap between traditional solenoid valves and high-flow pneumatic systems. Engineered with proven technology, these miniature valves deliver flow rates of up to 400 SLPM while maintaining a small footprint. Designed for precision and durability, the ARD Series Valves are an ideal choice for medical device applications, particularly in respiratory therapy, where minimizing leak-by and oscillation is critical.

Product Features

- **Unique high-force armature eliminates leak-by and oscillation issues typical to balanced valves**
- **Compact, allowing for easy implementation into current designs**
- **Custom Port Options: Inline, Manifold, and Cartridge**
- **CV Factor of up to .366**
- **Low power consumption (1.8 watts)**

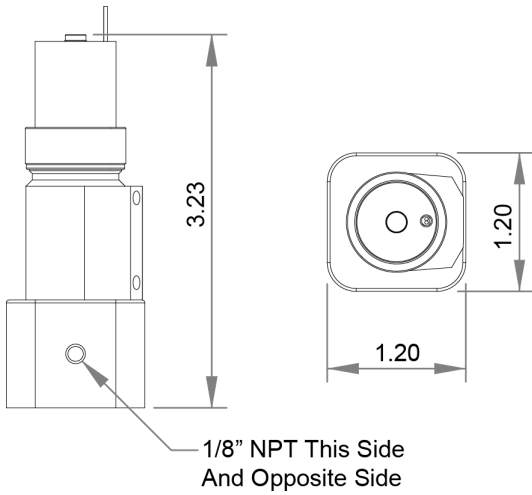


Specifications

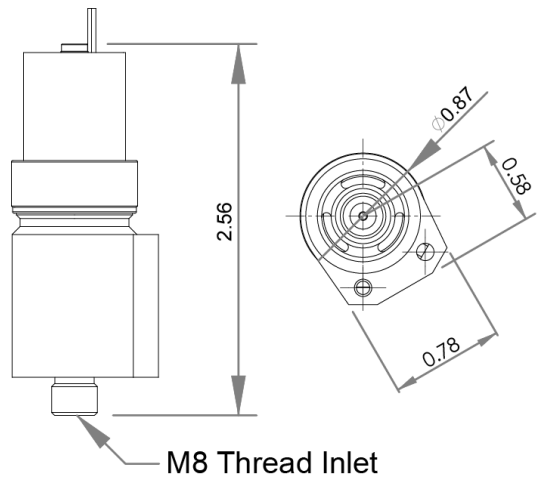
| | |
|--------------------------------|--|
| Valve Function | 2 Way, Normally Closed |
| Electrical Connection | Flying Wire Leads |
| Activating Voltage | 6 vdc, 12 vdc or 24 vdc |
| Power Requirement | 1.8 watts (max) |
| Flow Range | 0 - 400 slpm of air (at 100 psi) |
| Working Pressure | -14.7 to 150 psig |
| Cv Factor | 0.065 to 0.366 |
| Differential Pressure Required | 15 psig minimum |
| Filtration | 40 Micron Recommended |
| Leak Rate | Bubble Tight Seal |
| Response Time | <10 ms |
| Port Types | Manifold Mount, 1/8 NPT Inline, Custom |
| Seal Material | Buna-N, Viton, EPDM, Custom |
| Wetted Materials | Cold rolled stainless steel w/ electroless nickel plating, brass and 304 stainless steel |

Dimensions

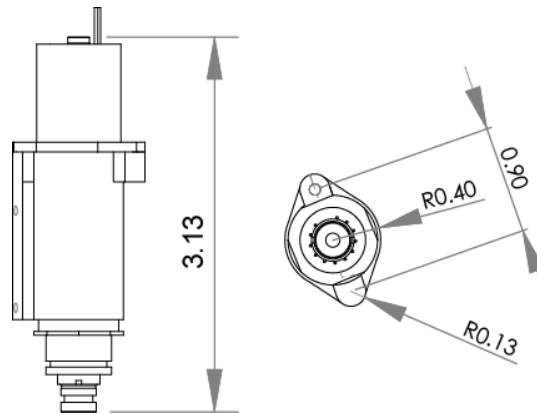
Base Mount



Manifold Mount



Cartridge Version



(Consult KPI for manifold mounting geometry)

Part Numbering System

