



Midsize Balanced Valve

Kelly Pneumatics' Midsize Balanced Valve offers increased flow rates over standard solenoid valve designs while still using a single moving component. Employing tried-and-true armature technology, the Midsize Balanced Valves are capable of flow rates up to 1200 LPM @ 100 PSID while maintaining our midsize valve's compact design. This valve is an ideal solution for applications requiring high-flow performance while also meeting strict envelope requirements.



Product Features

- Flow rate up to 1200 SLPM
- Sub 30 millisecond response time
- CV Factor of up to .760
- Low power consumption (5.8 watts)
- Inline and Manifold versions available

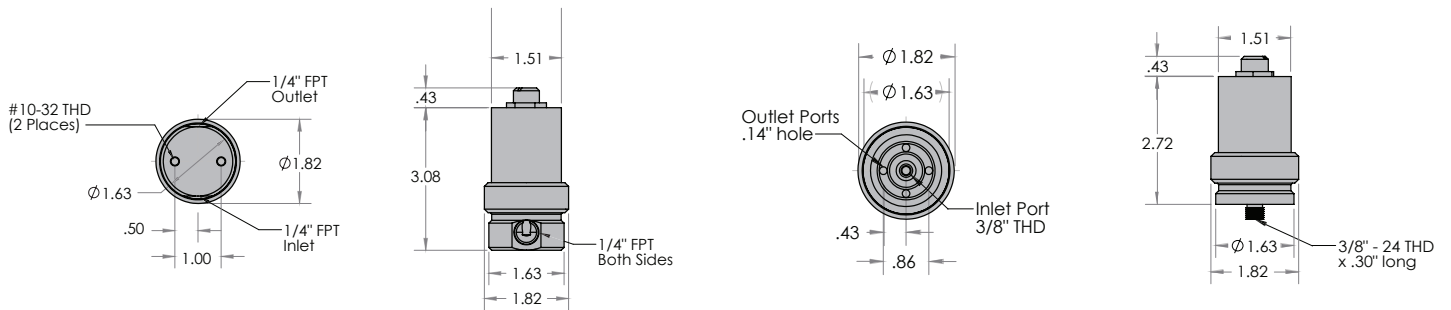
Specifications

Valve Function	2 Way, Normally Closed
Electrical Connection	Flying Wire Leads
Working Pressure	20 to 150 psig
Flow Range	0 - 1,200 liters per minute of air (at 100 psi)
Cv Factor	0.50, 0.76
Voltage Range	0 - 10 or 0 - 20 VDC
Port Types	# 1/4 NPT Base Mount or Manifold Mount
Seal Material	Buna - N, Viton, or EPDM
Response Time	<30 ms
Leak Rate	Bubble Tight Seal
Weight	1.0 lb
Filtration	40 Micron Recommended
Power	5.2 watts(max)
Wetted Materials	Cold rolled stainless steel w/ electroless nickel plating, brass and 304 stainless steel

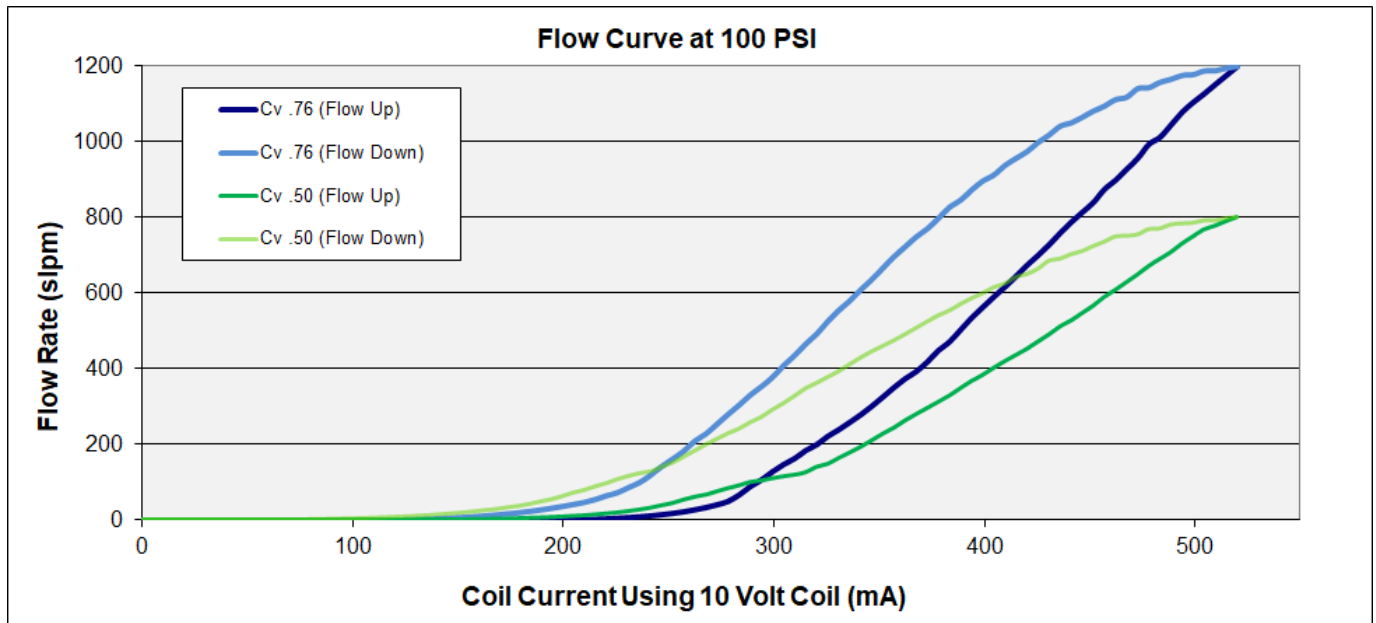
Dimensions

Base Mount Version

Manifold Mount Version



Flow Characteristics



Part Numbering System

