



Touchscreen High Flow Pressure Regulator

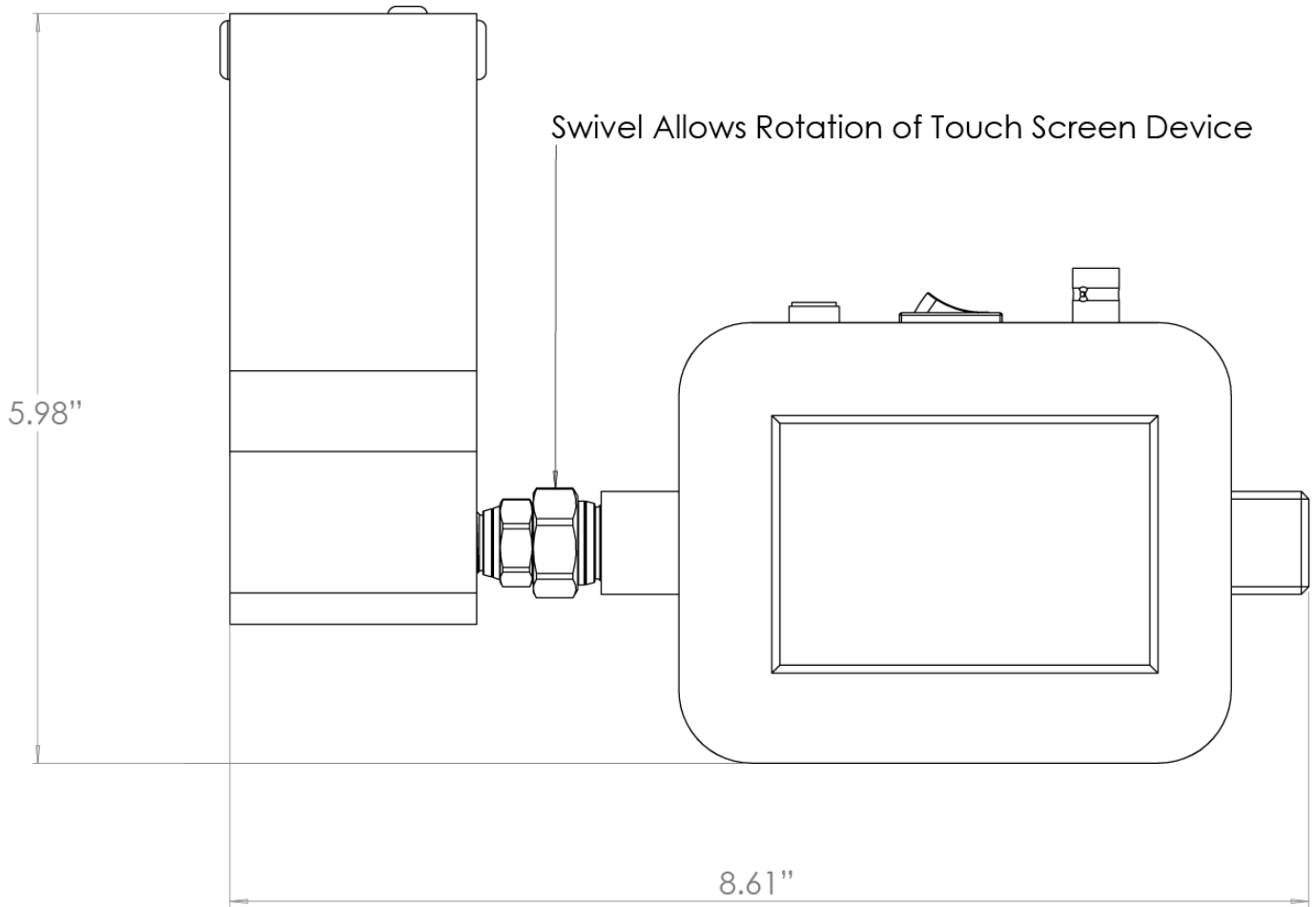


Introducing Kelly Pneumatics' latest innovation: the Touchscreen High Flow Pressure Regulator. Designed for precision and convenience, this cutting-edge regulator features a user-friendly 3.5-inch touchscreen interface for seamless pressure setting and monitoring. Effortlessly navigate through pressure adjustments and change units of measurement with just a touch. What also sets this regulator apart is its ability to record set pressure and output pressure performance over time, allowing users to create a comprehensive data log file. With the added convenience of WiFi connectivity, downloading and analyzing your pressure data has never been easier. Embrace efficiency and enjoy the future of pressure regulation with Kelly Pneumatics' Touchscreen High Flow Pressure Regulator – where technology meets precision.

Specifications

Pressure Range	-14.7 to 100 PSI (standard) 0 to 300 psig (custom)
Pressure Accuracy	+/- 1% or less (full span)
Linearity	+/- 1% or less (full span)
Response Time	less than 250 milliseconds (as low as 50 ms)
Max Flow Rate	515 slpm / 18.2 scfm @ 100psi
Connections	3/8" NPT Inlet & Outlet Ports, #10-32 Female Exhaust Port (if applicable)
Weight	2.0 lb
Power Required	12 or 24 vdc (wire leads); 110 VDC (TURNKEY)
Current Required	600 mA Max
Control Signal	0-5 volts, 0-10 volts or 4-20 mA
Feedback Signal	0-5 or 0-10 volts
Touchscreen	3.5 Inch TFT Resistive
Data Interface	Wi-Fi Hotspot (data can be viewed/downloaded via web browser)
Wetted Materials	Cold rolled stainless steel w/ electroless nickle plating, brass and 304 stainless steel

Dimensions



Part Numbering System

