



Midsize Proportional Valve

Kelly Pneumatics, offers a high volume flow Midsize Proportional Valve utilizing our unique proportional valve design. This non-spool valve architecture employs one moving part, ensuring virtually friction-less proportional control and longevity tested over 100 million cycles. The simplicity of the proportional valve design also ensures relative ease when implementing maintenance or cleaning. We also offer alternative versions that are resistant to both high and low temperatures, therefore performing consistently in many different environments.

Product Features

- Up to 300 LPM Flow Rate
- Unique Proportional Valve Design
- Easily Cleaned and Maintained
- Quiet Operation
- Low Hysteresis Performance
- Controls Air, Water, and Other Mediums

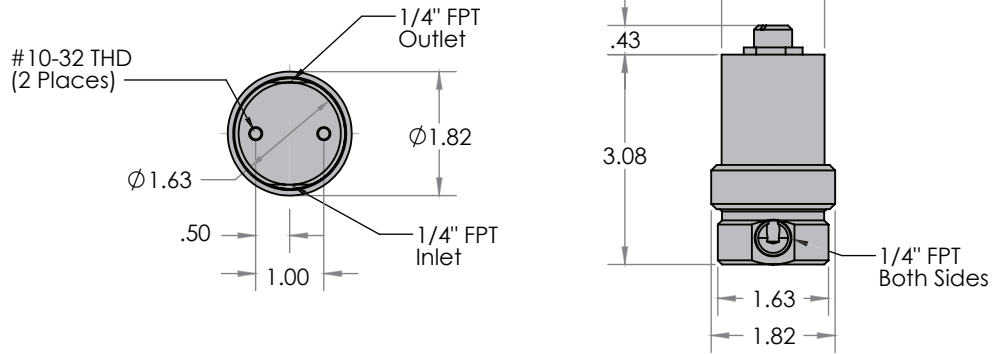


Specifications

Valve Function	2 Way, Normally Closed
Electrical Connection	Flying Wire Leads
Working Pressure	-14.7 to 100 psig (6.8 bar) (standard) 500 (psig) (custom)
Flow Range	0 - 300 liters per minute of air flow
Orifice Size	.040I, .060, .090, .125, .156 inches
Voltage Range	0 - 10 or 0 - 20 VDC
Port Types	# 1/4 NPT Base Mount or Manifold Mount
Seal Material	Buna - N, Viton, or EPDM
Maximum Hysteresis	2-10% of full current (varies with max flow)
Leak Rate	Bubble Tight Seal
Weight	1.0 lb
Filtration	40 Micron Recommended
Power	5.2 watts(max)
Wetted Materials	Cold rolled stainless steel w/ electroless nickel plating, brass and 304 stainless steel

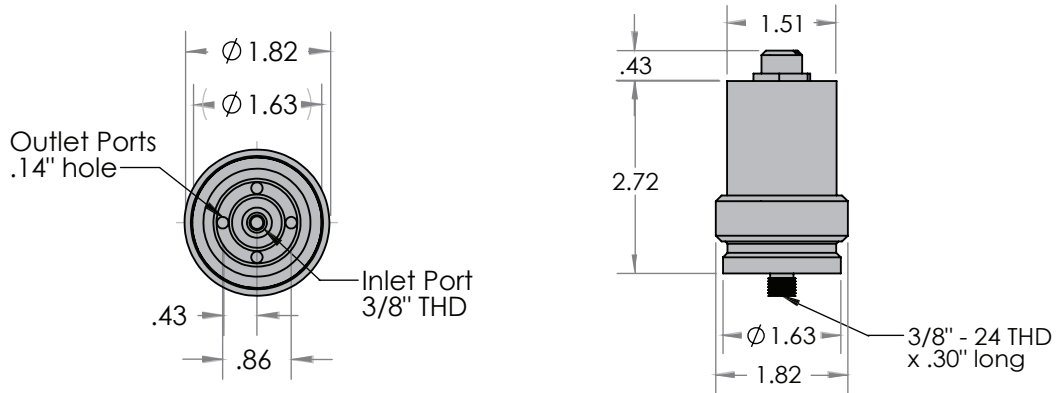
Dimensions

Base Mount Version

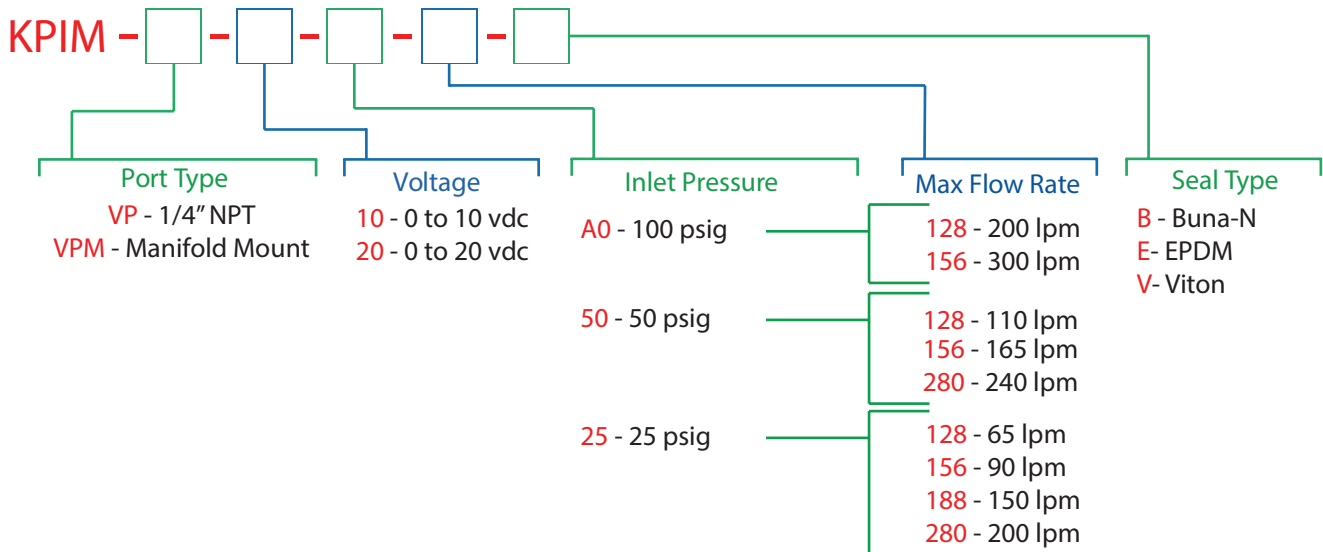


Dimensions

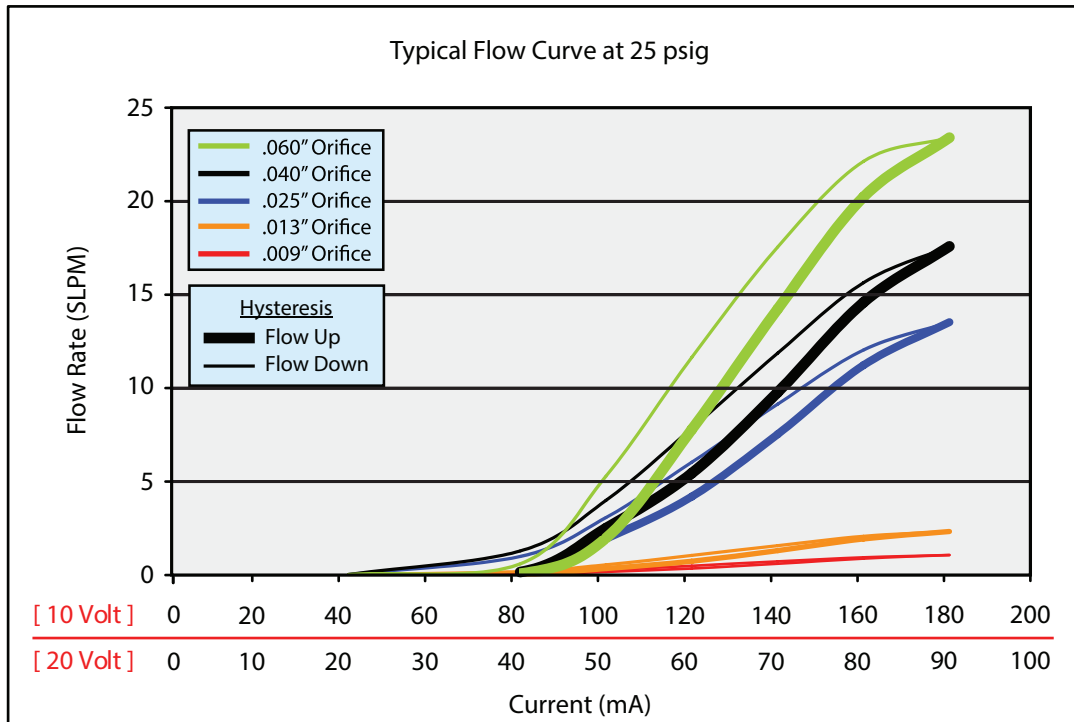
Manifold Mount Version



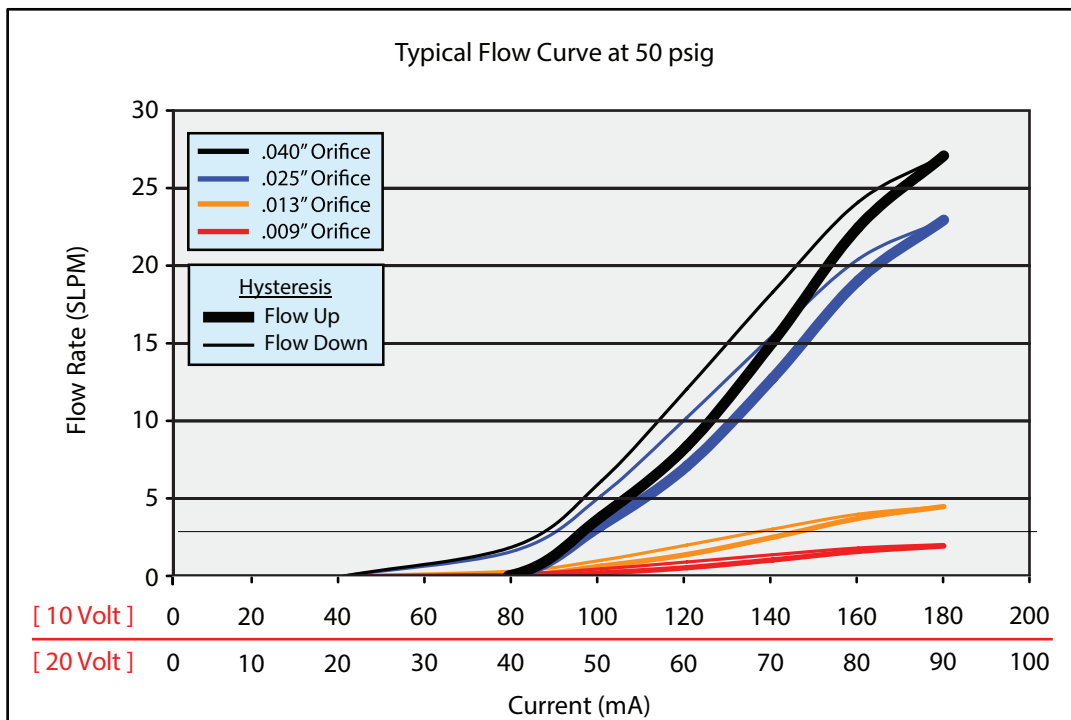
Part Numbering System



Performance Characteristics



Performance Characteristics



Performance Characteristics

