



# Low Hysteresis Proportional Valve

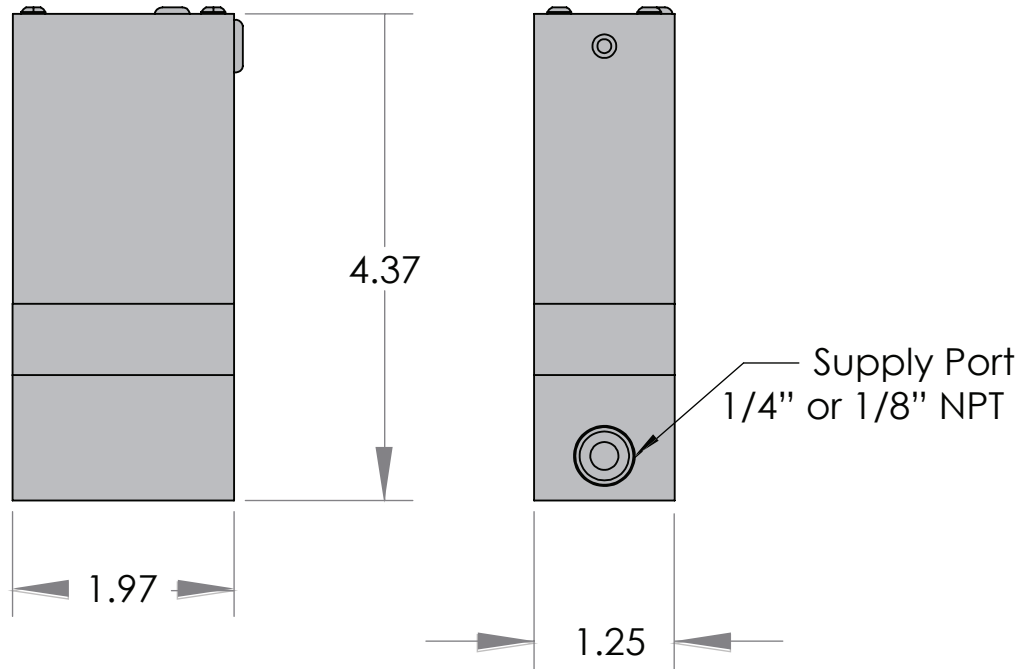
Kelly Pneumatics, Inc. offers a reduced cost low hysteresis proportional valve with high volume flow capabilities. The Low Hysteresis Proportional Valve offers the second-highest flow performance and lowest hysteresis of our proportional valve product line, while still utilizing a single armature design ensuring virtually frictionless performance and longevity tested at over 100 million cycles. This valve differs from the High Flow Proportional Valve in that it uses a proportional valve and digital valve in parallel. This proportional valve design offers quick response times and high flow rates without the increased cost of a larger housing, making it a good option for those in need of high volume proportional flow at low hysteresis levels. Additionally, the valve incorporates our valve driver board as an onboard device, which offers manual or electrical control, with varying control voltages available.



## Specifications

Valve Function	2 Way, Normally Closed
Electrical Connection	Flying Wire Leads
Working Pressure	1 to 100 psig (6.8 bar) (standard) 500 psig (custom)
Flow Range	consult factory
Orifice Size	consult factory
Voltage Range	0 - 10 or 0 - 20 VDC
Port Types	1/4" NPT or 1/8" NPT
Seal Material	Buna - N, Viton, or EPDM
Maximum Hysteresis	2- 3% of full current
Leak Rate	Bubble Tight Seal
Type of Operation	Direct solenoid
Filtration	40 Micron Recommended
Power	2.5 watts(max)
Wetted Materials	Cold rolled stainless steel w/ electroless
	nickel plating, brass and 304 stainless steel

## Dimensions



## Part Numbering System

