

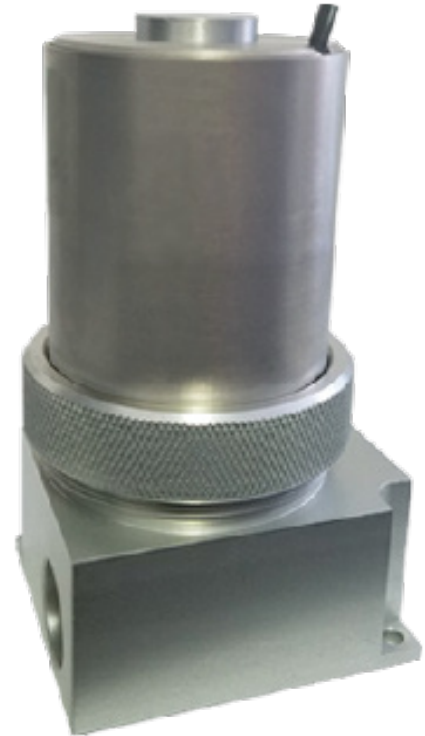


# High Flow Proportional Valve

Kelly Pneumatics, Inc introduces the High Flow Proportional Valve, which offers the highest flow rates of our proportional valve production line. This valve performs excellently at low or high pressures and offers low hysteresis performance characteristics with exceptional repeatability. Even at lower input pressures, the high flow valve can reach flows up to 200 - 600 LPM. We also offer alternate versions that are resistant to both high and low flow temperatures, therefore performing consistently in many different environments.

## Product Features

- Up to 300 LPM Flow Rate
- Unique Proportional Valve Design
- Easily Cleaned and Maintained
- Quiet Operation
- Low Hysteresis Performance
- Controls Air, Water, and Other Mediums

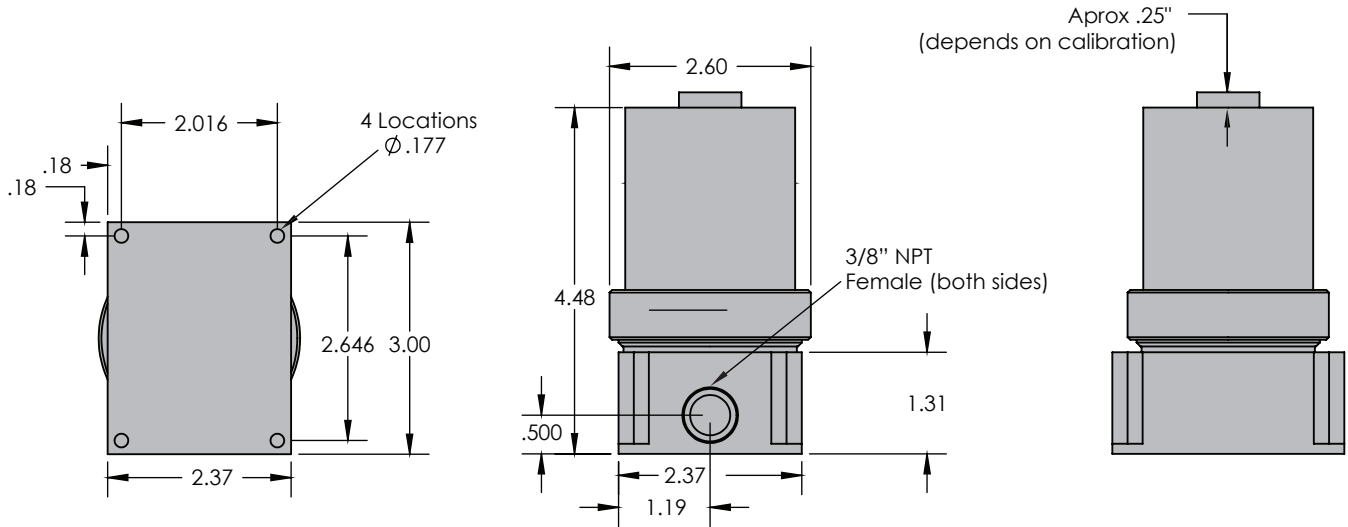


## Specifications

Valve Function	2 Way, Normally Closed
Electrical Connection	Flying Wire Leads
Working Pressure	-14.7 to 100 psig (6.8 bar)
Flow Range	0 - 90 liters per minute of air flow
Orifice Size	.188, .323, .500 inches
Port Types	3/8" NPT Female
Seal Material	Buna-N, Viton, or EPDM
Operating Temp.	-40° to 200 ° F (-40 ° to 93 ° C)
Maximum Hysteresis	5 - 8% of full current
Leak Rate	Bubble Tight Seal
Type of Operation	Direct solenoid
Filtration	40 Micron Recommended
Power	8.2 watts(max)
Wetted Materials	Cold rolled stainless steel w/ electroless nickel plating, brass and 304 stainless steel

# Dimensions

(all dimensions in inches)



# Part Numbering System

