



Electronic Relief Valve

Kelly Pneumatics, Inc. offers an Electronic Pressure Relief Valve for high flow applications. This valve offers high-resolution pressure chamber control for applications that require high volume, relieving flow performance. Well used in application that needs to sustain a constant pressure on the downstream of a pressurized area, this valve varies flow rates automatically subject to dynamic fluctuations of pressure. Unlike traditional mechanical relief valves, the Electronic Pressure Relief Valve offers variable performance-based on electrical input supplied either manually or by a remote electronic controller.



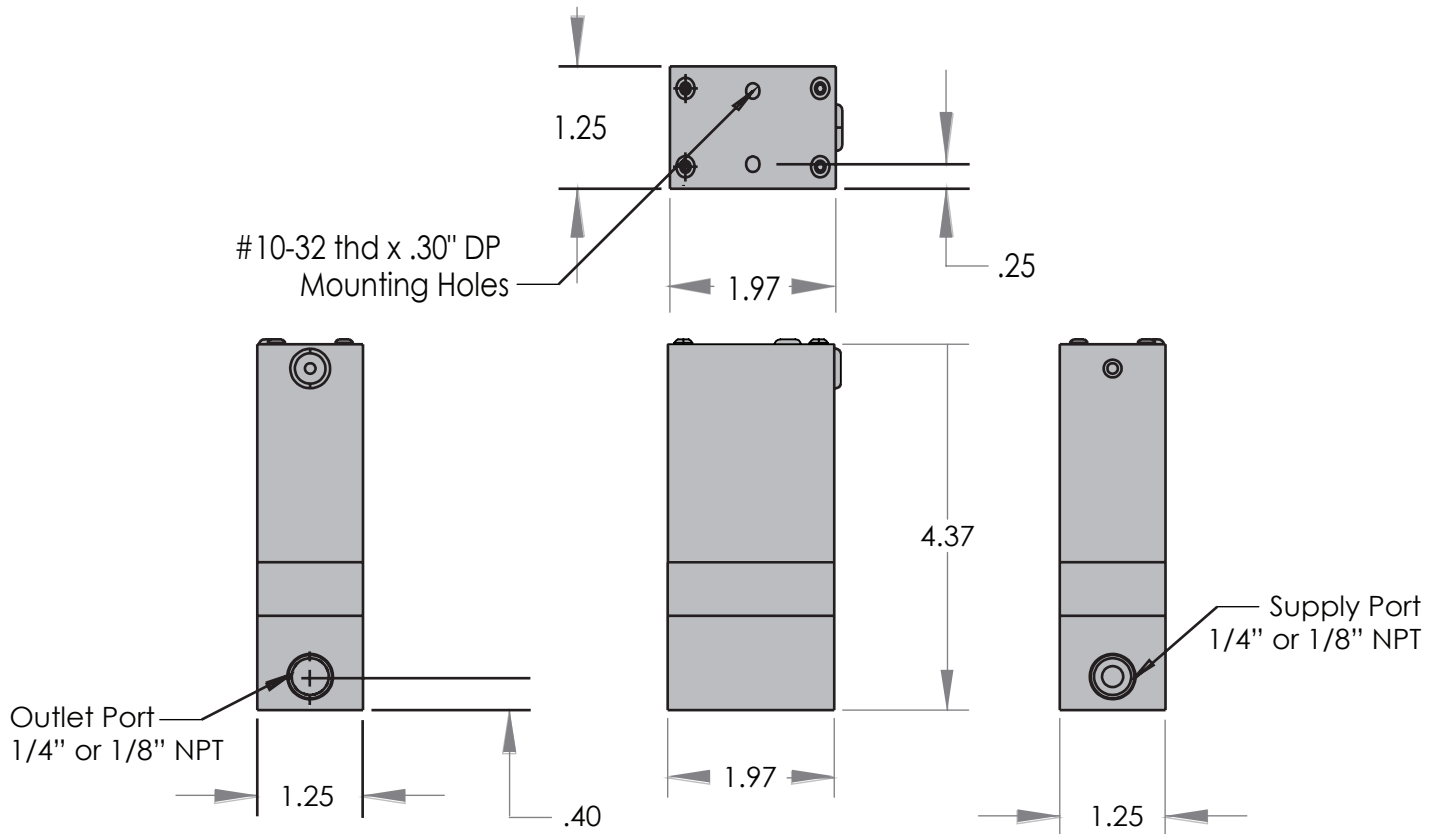
Product Features

- High Volume Relieving Flow Rate
- Electronic Performance Feedback
- Quiet Operation
- Excellent Resolution and Repeatability

Specifications

Output Pressure Range	1 to 100 PSI (standard) 1 to 300 psig (custom)
Pressure Accuracy	+/- 1% or less (full span)
Linearity	+/- 1% or less (full span)
Response Time	less than 250 milliseconds (as low as 50 ms)
Max Flow Rate	515 slpm / 18.2 scfm @ 100psi
Connections	1/8" or 1/4" FPT supply and Outlet Ports
Weight	1.0 lb
Power Required	12 or 24 vdc (wire leads); 110 VAC (TURNKEY)
Current Required	90 ma to 180 mA
Control Signal	0-5 volts, 0-10 volts or 4-20 mA
Feedback Signal	0-5 or 0-10 volts
Manual Control	Adjustable Potentiometer
Operating Temp	32-150 F or 0-65 C
Filtration	40 Micron Recommended
Wetted Materials	Cold rolled stainless steel w/ electroless nickle Plating, brass and 304 stainless steel

Dimensions



Part Numbering System

