



KELLY PNEUMATICS

Proportional Valve Driver



Features

- Proportional Current Output
- High Resolution Current Output
- Maintains Current with Change in Coil Resistance
- Usable in Variety of Electronic Assemblies

Kelly Pneumatics, Inc. offers a Driver Board for its Proportional Valve product line. This driver board converts an input signal proportionally to an output current, driving the attached valve with excellent resolution. The driver board maintains output current at a given input signal, even when the coil resistance changes with a change in coil temperature, maintaining flow control. Can also be applied to other electronic applications in need of precise current control.

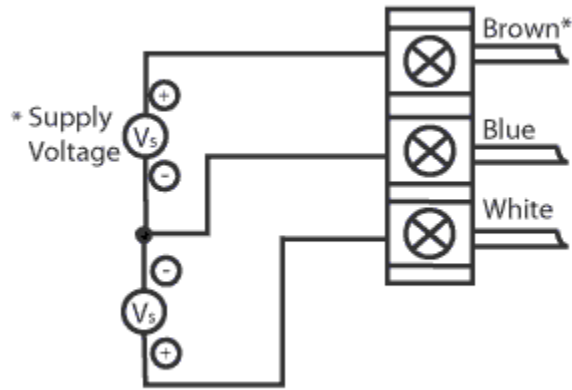
Specifications

Voltage Required	12 or 24 VDC +/- 10%
Max Current Output	< 3 watts (Mini-Proportional Valve) < 6 watts (Midsized Proportional Valve) varies for other products
Control Signals	0-5 volts, 0-10 volts, 4-20 milliamps
Operating Temp	32-150 °F or 0-65 °C



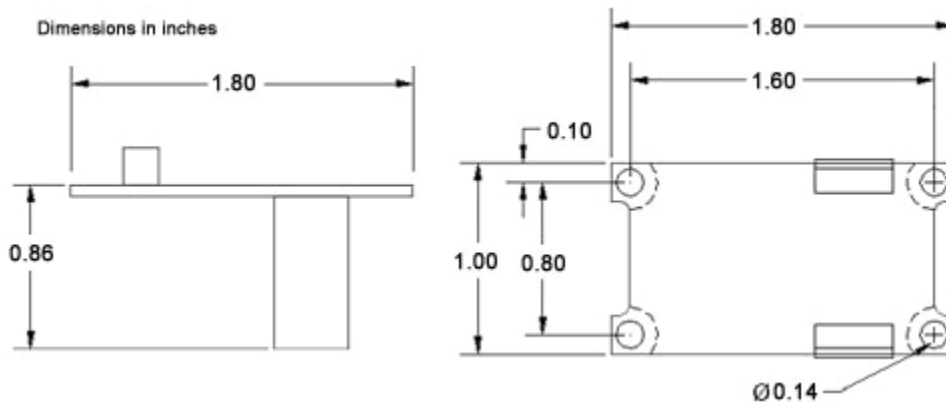
KELLY PNEUMATICS

Details



Terminal Number	1	2	3
Lead Wire Color	Brown	White	Blue
Function	Power Supply Voltage	Control Signal	Ground

Dimensions

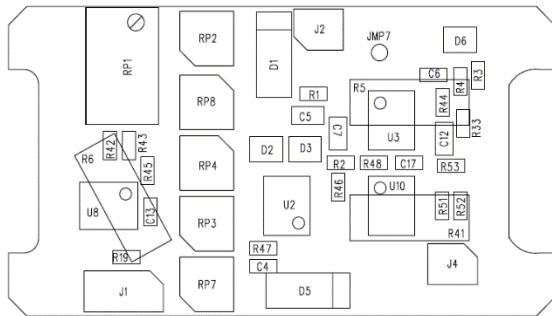


1611 Babcock St.
 Newport Beach, CA, 92663
 Phone: (800) 704-7552 | Fax: (800) 704-7462

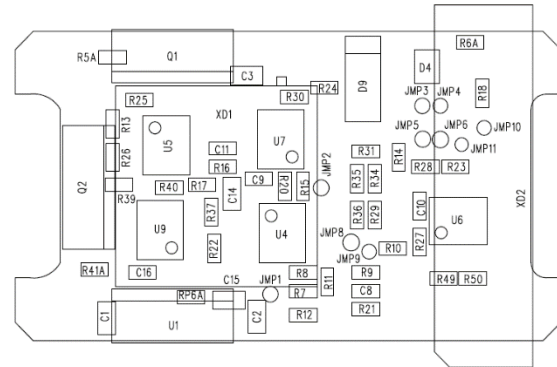


KELLY PNEUMATICS

Calibration



TOP SIDE



BOTTOM SIDE

TRIMPOT

RP3
RP4

FUNCTION

Adjusts Zero
Adjusts Gain