



# Pressure Compensating Proportional Valve

The Pressure Compensating Proportional Valve utilizes our patented proportional valve technology. This valve dynamically compensates for varying inlet pressures, while still maintaining consistent output flow characteristics. Effective in applications with either fluctuating or oscillating control pressures, the Pressure Compensating Proportional Valve can maintain flow rates with input pressures reaching 250 PSIG. The non-spool valve architecture employs one moving part, ensuring virtually frictionless performance and longevity tested at over 100 million cycles.



## Specifications

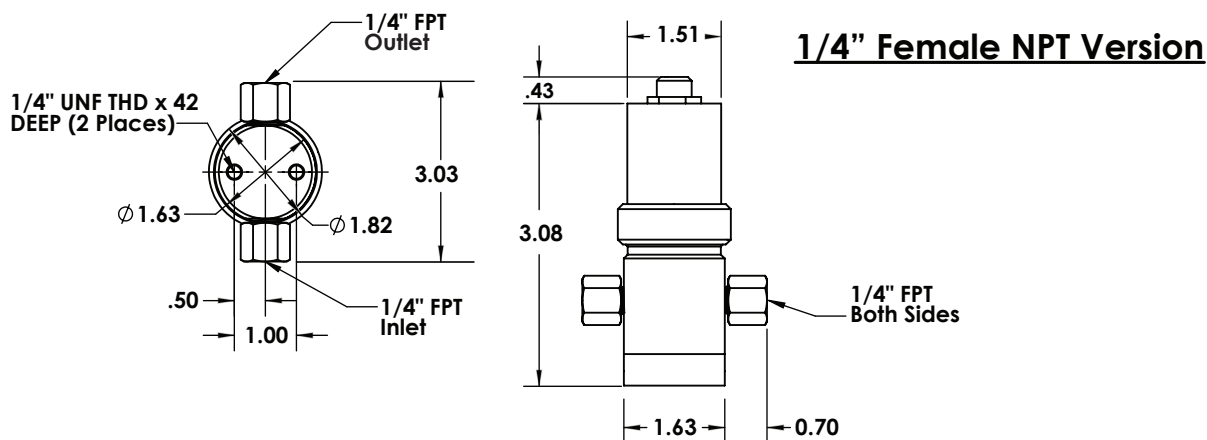
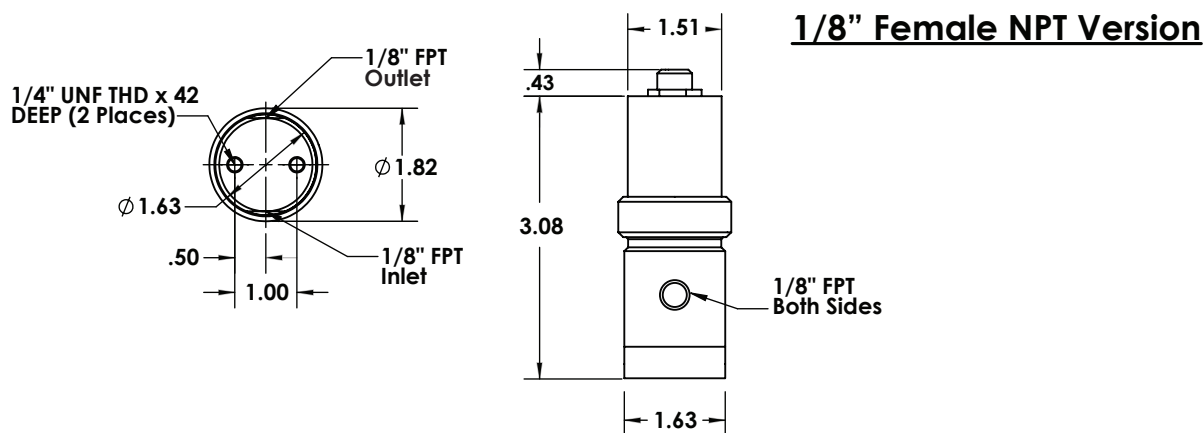
Valve Function	2-Way, Normally Closed
Electrical Connection	Flying Wire Leads
Working Pressure	25 - 250 psig
Flow Range	0-300 liters per minute
Orifice Size	.040, .060, .090, .125, or .156 inches
Voltage Range	0-10 or 0-20 VDC
Port Types	1/4" NPT or 1/8" NPT
Seal Material	Buna-N, Viton, or EPDM
Operating Temp.	-40° to 200°F (-40° to 93°C)
Maximum Hysteresis	6-10% of full current
Leak Rate	Bubble Tight Seal
Weight	1.0 lbs
Filtration	40 Micron Recommended
Power	4.8 watts (max)
Wetted Materials	Cold rolled stainless steel w/ electroless nickel plating, brass and 304 stainless steel





# Pressure Compensating Proportional Valve

## Dimensions



## Part Numbering System

