



# Low Hysteresis Proportional Valve

Kelly Pneumatics, Inc. offers a reduced cost low hysteresis proportional valve with high volume flow capabilities. The Low Hysteresis Proportional Valve offers the second-highest flow performance and lowest hysteresis of our proportional valve product line, while still utilizing a single armature design ensuring virtually frictionless performance and longevity tested at over 100 million cycles. This valve differs from the High Flow Proportional Valve in that it uses a proportional valve and digital valve in parallel. This proportional valve design offers quick response times and high flow rates without the increased cost of a larger housing, making it a good option for those in need of high volume proportional flow at low hysteresis levels. Additionally, the valve incorporates our valve driver board as an onboard device, which offers manual or electrical control, with varying control voltages available.



## Specifications

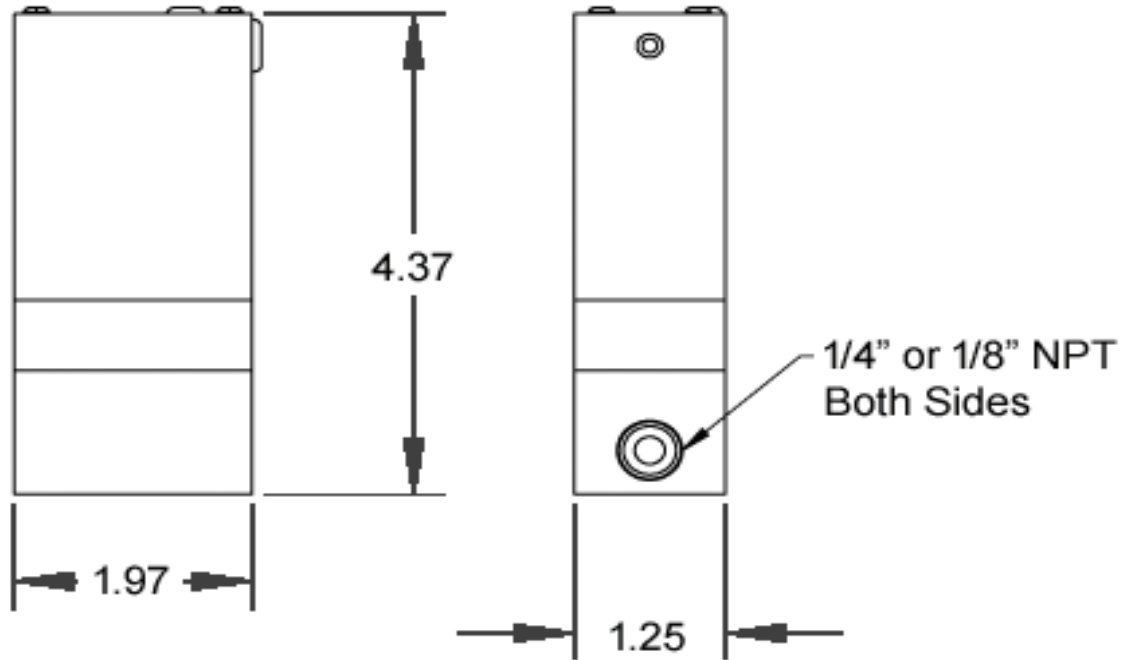
|                       |  |
|-----------------------|--|
| Valve Function        | 2-Way, Normally Closed   |
| Electrical Connection | Flying Wire Leads  |
| Working Pressure      | 1 to 100 psig (6.8 bar) (standard) 500 psig (custom)                                     |
| Flow Range            | consult factory  |
| Orifice Size          | consult factory  |
| Voltage Range         | 0-10 vdc or 0-20 vdc   |
| Port Types            | 1/4" NPT or 1/8" NPT   |
| Seal Materials        | BUNA-N, VITON, or EPDM   |
| Operating Temp        | -40 to 200 F (-40 to 93 C)   |
| Maximum Hysteresis    | 2-3% of full current   |
| Leak Rate             | bubble tight seal  |
| Type of Operation     | Direct solenoid  |
| Filtration            | 40 micron recommended  |
| Power                 | 2.5 watts max  |
| Wetted Materials      | Cold rolled stainless steel w/ electroless nickel plating, brass and 304 stainless steel |





# Low Hysteresis Proportional Valve

## Dimensions



## Part Numbering System

