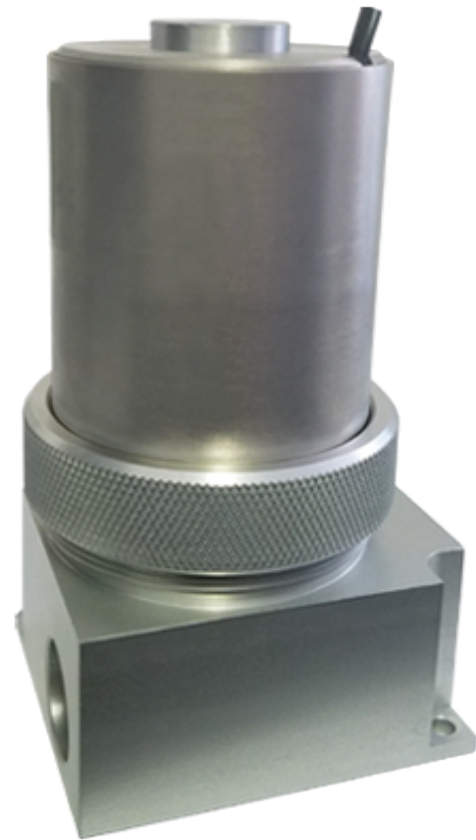




# High Flow Proportional Valve

Kelly Pneumatics, Inc. introduces the High Flow Proportional Valve, which offers the highest flow rates of our proportional valve product line. This valve performs excellently at low or high pressures and offers low hysteresis performance characteristics with exceptional repeatability. Even at lower input pressures, the high flow valve can reach flows of up to 200-300 LPM. We also offer alternate versions that are resistant to both high and low temperatures, therefore performing consistently in many different environments.



## Specifications

Valve Function	2-Way, Normally Closed
Electrical Connection	Flying Wire Leads
Working Pressure	-14.7 to 100 psig (6.8 bar)
Flow Range	0-400 liters per minute of air flow
Orifice Size	.125, .156, or .188 inches
Voltage Range	0-10 or 0-20 VDC
Port Types	1/4" NPT or 3/8" NPT
Seal Material	Buna-N, Viton, or EPDM
Operating Temp.	-40° to 200°F (-40° to 93°C)
Maximum Hysteresis	5-8% of full current
Leak Rate	Bubble Tight Seal
Type of Operation	Direct solenoid
Filtration	40 Micron Recommended
Power	8.2 watts (max)
Wetted Materials	Cold rolled stainless steel w/ electroless nickel plating, brass and 304 stainless steel

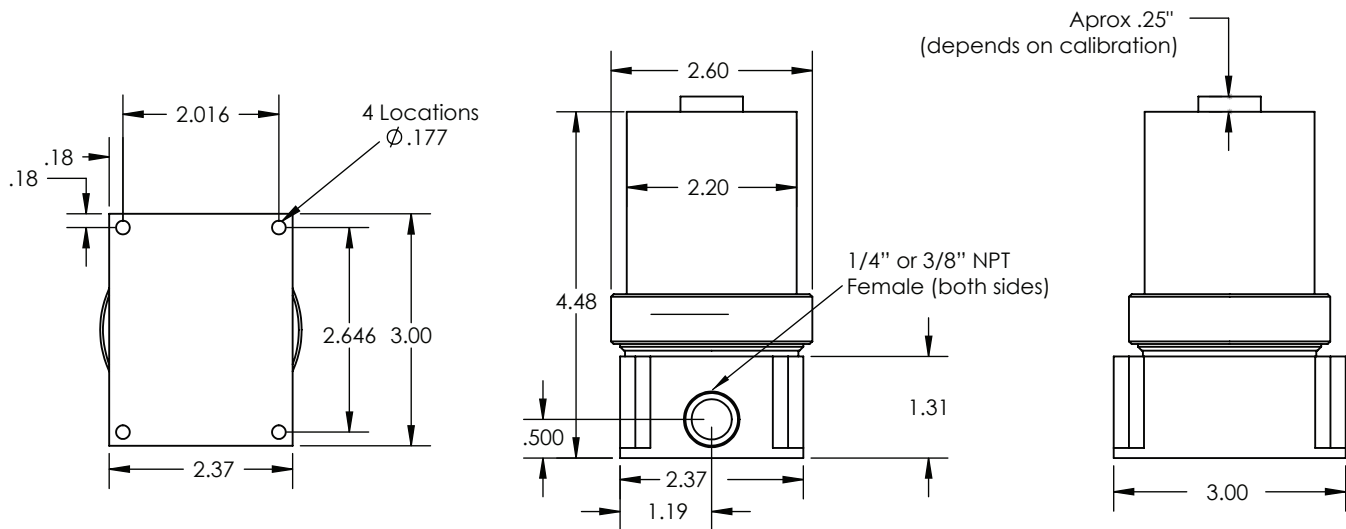




# High Flow Proportional Valve

## Dimensions

(all dimensions in inches)



## Part Numbering System

