

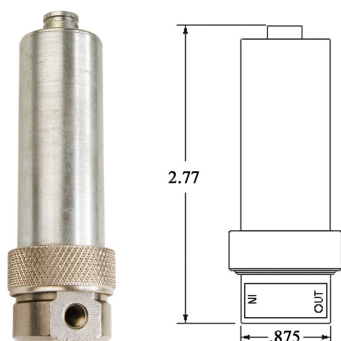


# High Flow Mini Proportional Valve

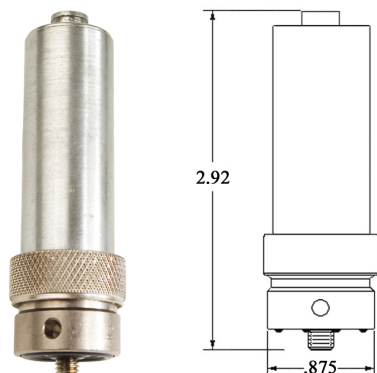
Kelly Pneumatics, Inc. offers a high volume flow Miniature Proportional Valve utilizing our proportional armature valve technology. This non-spool valve architecture employing one moving part ensures virtually frictionless performance and longevity tested at over 100 million cycles. We also offer alternate versions that are resistant to both high and low temperatures, therefore performing consistently in many different environments. Available in both Inline and Manifold Mount versions, this valve can efficiently process Water, Air, Oil, and Hydrogen.

- Valve Type:** 2-way
- Power Consumption:** 2.5 watts, 5.3 watts max
- Voltage Range:** 0-5, 0-10, or 0-20 volts (VDC)
- Working Pressure:** 25, 50, or 100 PSIG
- Orifice Size:** .04", .06", .09", .125" or .156"
- Port Types:** #10-32 Inline (Base Mount), #10-32 Manifold Mount
- Medium:** Air, Water, Other Gases and Liquids
- Seal Type:** Buna-N, Viton, or EPDM
- Temperature Range:** 32° - 120°F (0° - 50°C)
- Maximum Hysteresis:** 10% of full current
- Response Time:** 10 to 15 ms
- Flow:** 0-2900 MLPM of water, 0-100 SLPM of air

## Inline Mount Version

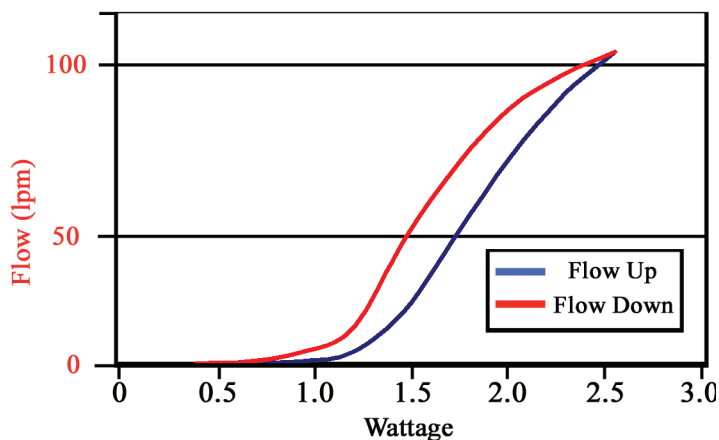


## Manifold Mount Version



## Typical Performance Characteristics

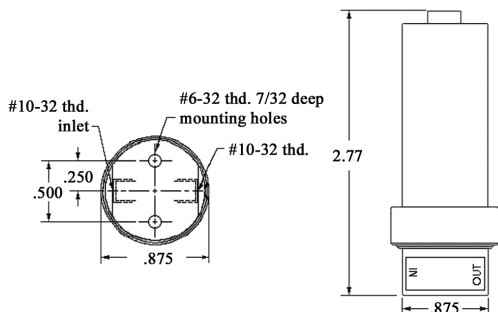
(Note: a 20 VDC rated valve at 10 PSIG inlet)



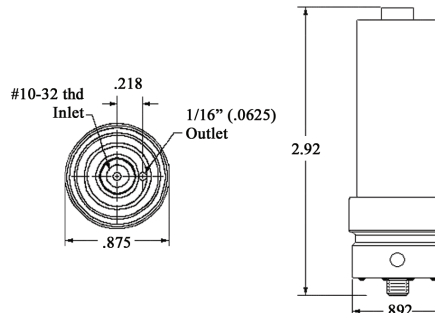


# High Flow Mini Proportional Valve

## Inline Mount Dimensions



## Manifold Mount Dimensions



## Part Numbering System

KPIH-

[ ]

- [ ]

- [ ]

- \*

\* This number is limited by previous selection of orifice size depending on the corresponding maximum PSIG.

### Electrical Connection:

- T - Terminal Spades
- V - Wire Leads

+

### Port Type:

- P - Inline
- PM - Manifold

+

### Valve Type:

- Blank - 2-way

### Voltage:

- 05 - 0 to 5 vdc
- 10 - 0 to 10 vdc
- 20 - 0 to 20 vdc

### Orifice Size:

- 40 - 0.040 (100 psig max)
- 60 - 0.060 (100 psig max)
- 90 - 0.090 (100 psig max)
- 125 - 0.125 (100 psig max)
- 156 - 0.156 (100 psig max)

### Maximum Pressure:

- 25 - 25 PSIG
- 50 - 50 PSIG
- A0 - 100 PSIG